

SPECIFICATION

Type	RVSF-22C300P
Nominal pressure	5.0MPa
Nominal diameter	DN8~32(1/4~1-1/4)
Shell test pressure	7.5MPa
Relieving pressure	≤ 1.1 times the set pressure
Seal pressure	0.9 times the set pressure
Seal property	Pressure test with no leakage for 2 minutes; halogen leak detection test with a leakage rate ≤ 0.1 oz/year.
Suitable temperature	-40~150°C
Suitable medium	Refrigerants, oil, water, etc.

PARTS MATERIAL

No.	Part name	Materials
1	Body	CF8
2	Seal	PTFE
3	Disc	HPb59-1
4	Spring	50CrVA
5	Adj.nut	HPb59-1
6	Gasket	PTFE
7	Nut	HPb59-1

RATED CAPACITY (AIR), LBS/MIN

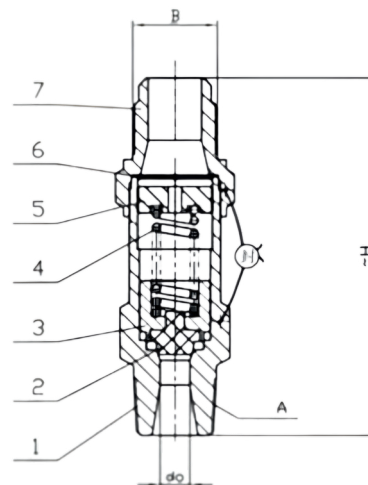
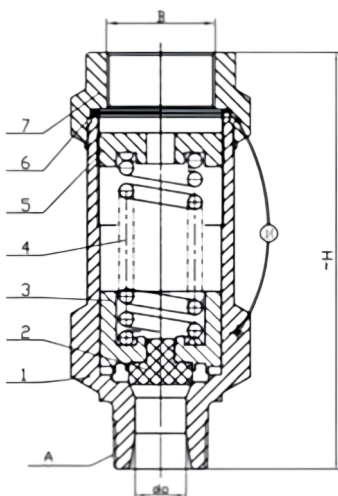
Specification/ Size	Throat diameter d ₀ (mm)	Set pressure (psi / MPa)				
		200(1.38)	250(1.72)	300(2.07)	350(2.41)	400(2.76)
DN8(1/4in)	6	9	11.5	13.5	15.5	18
DN10(3/8in)	7	12	14.5	17	20	22.5
DN15(1/2in)	7.8	14.5	18	21.5	25	28
DN20(3/4in)	11	29	35.5	42.5	49.5	56
DN25(1in)	18	77.5	95.5	114	132.5	150.5
DN32(1-1/4in)	26	161.1	198.4	236.7	273.9	313.6

Note: The set pressure is adjusted according to customer requirements.

CONNECTING DIMENSIONS

Size mm (inch)	inch		H(mm)
	InletA	OutletB	
DN8(1/4)	1/4-18MNPT	5/8-18UNF	85
DN10(3/8)	3/8-18MNPT	5/8-18UNF	86
DN15(1/2)	1/2-14MNPT	7/8-14UNF	91
DN20(3/4)	3/4-14MNPT	3/4-14FNPT	101
DN25(1)	1-11.5MNPT	1-11.5FNPT	120
DN32(1-1/4)	1-1/4-11.5MNPT	1-1/2-11.5FNPT	150

Connection size can be customized according to user requirements. Thread type:NPT,R,UN, etc



SPECIFICATION

Type	RVSF-22C300T
Nominal pressure	5.0MPa
Nominal diameter	DN8~32(1/4~1-1/4)
Shell test pressure	7.5MPa
Relieving pressure	≤ 1.1 times the set pressure
Seal pressure	0.9 times the set pressure
Seal property	Pressure test with no leakage for 2 minutes; halogen leak detection test with a leakage rate ≤ 0.1 oz/year.
Suitable temperature	-40~150°C
Suitable medium	Refrigerants, oil, water, etc.

PARTS MATERIAL

No.	Part name	Materials
1	Body	HPb59-1
2	Seal	PTFE
3	Dise	HPb59-1
4	Spring	50CrVA
5	Adj.nut	HPb59-1
6	Gasket	PTFE
7	Nut	HPb59-1

RATED CAPACITY (AIR), LBS/MIN

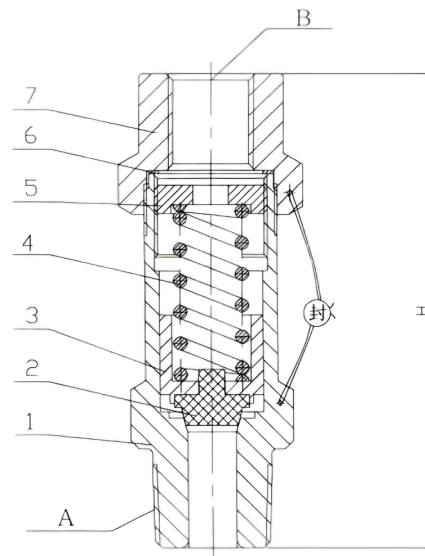
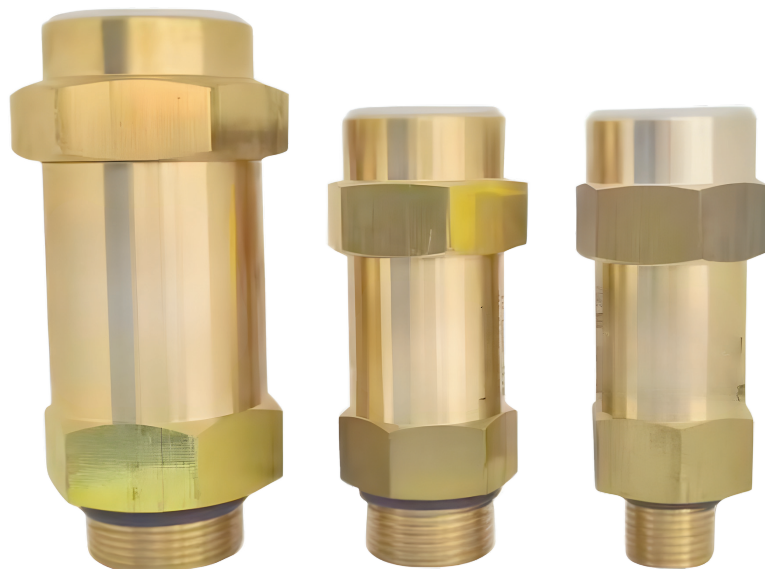
Specification/ Size	Throat diameter d ₀ (mm)	Set pressure (psi / MPa)				
		200(1.38)	250(1.72)	300(2.07)	350(2.41)	400(2.76)
DN8(1/4in)	6	9	11.5	13.5	15.5	18
DN10(3/8in)	7	12	14.5	17	20	22.5
DN15(1/2in)	7.8	14.5	18	21.5	25	28
DN20(3/4in)	11	29	35.5	42.5	49.5	56
DN25(1in)	18	77.5	95.5	114	132.5	150.5
DN32(1-1/4in)	26	161.1	198.4	236.7	273.9	313.6

Note: The set pressure is adjusted according to customer requirements.

CONNECTING DIMENSIONS

Size mm (inch)	inch		H(mm)
	InletA	OutletB	
DN8(1/4)	1/4-18MNPT	5/8-18UNF	85
DN10(3/8)	3/8-18MNPT	5/8-18UNF	86
DN15(1/2)	1/2-14MNPT	7/8-14UNF	91
DN20(3/4)	3/4-14MNPT	3/4-14FNPT	101
DN25(1)	1-11.5MNPT	1-11.5FNPT	120
DN32(1-1/4)	1-1/4-11.5MNPT	1-1/2-11.5FNPT	150

Connection size can be customized according to user requirements. Thread type:NPT,R,UN, etc



SPECIFICATION

Type	RVSF-22C300T
Nominal pressure	5.0MPa
Nominal diameter	DN:7/8, 1-5/16, 1-5/8
Shell test pressure	7.5MPa
Relieving pressure	≤ 1.1 times the set pressure
Seal pressure	0.9 times the set pressure
Seal property	Pressure test with no leakage for 2 minutes; halogen leak detection test with a leakage rate ≤ 0.1 oz/year.
Suitable temperature	-40~150°C
Suitable medium	Refrigerants, oil, water, etc.

PARTS MATERIAL

No.	Part name	Materials
1	Body	HPb59-1
2	Seal	PTFE
3	Dise	HPb59-1
4	Spring	50CrVA
5	Adj.nut	HPb59-1
6	Gasket	PTFE
7	Nut	HPb59-1

RATED CAPACITY (AIR), LBS/MIN

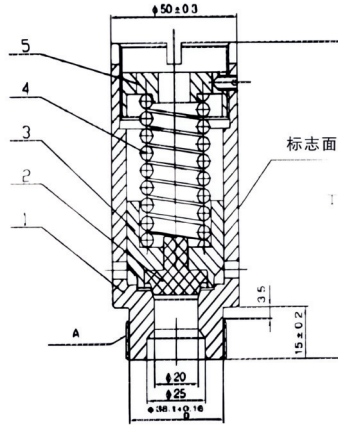
Specification/ Size	Throat diameter d ₀ (mm)	Set pressure (psi / MPa)				
		200(1.38)	250(1.72)	300(2.07)	350(2.41)	400(2.76)
DN:7/8	12	31.6	38.8	47.4	54	61.1
DN: 7/8	12.7	35.5	48.5	57.7	65.3	74.7
DN:1-5/16	14.5	54.3	66.1	80.3	92.5	105.9
DN:1-5/8	18	77.5	95	114	132.5	150.5
DN:1-5/8	22	115.4	142	169.4	196.9	224.6

Note: The set pressure is adjusted according to customer requirements.

CONNECTING DIMENSIONS

Size mm (inch)	inch		H(mm)
	InletA	OutletB	
DN:7/8	7/8-14UNF	3/4FNPT	101
DN:7/8	7/8-14UNFR	1 "FNPT	104
DN:1-5/16	1-5/16-12UNF	1 "FNPT	109
DN:1-5/8	1-5/8- 12UNF	1-1/4FNPT	109
DN:1-5/8	1-5/8-12UNF	1-1/4FNPT	130

Connection size can be customized according to user requirements. Thread type:NPT,R,UN, etc

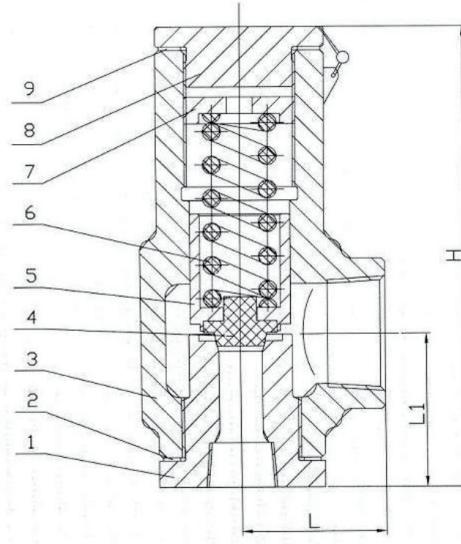


PARTS MATERIAL

No.	Part name	Materials
1	Body	20
2	Seal	PTFE
3	Dise	45
4	Spring	50CrVA
5	Adj.nut	35/45

CONNECTING DIMENSIONS & SPECIFICATION

Type	do (mm)	H (mm)	Ain	Set Pressure	Relieving Pressure	Seal Pressure	Relieving Capacity Lbs/min (Air)	Suitable Temperature (°C)
RVSF-22C300C	20	75	15/8-12UN	2.41MPa(G)	≤2.65MPa(G)	2.05Mpa(G)	≥69	-40~150



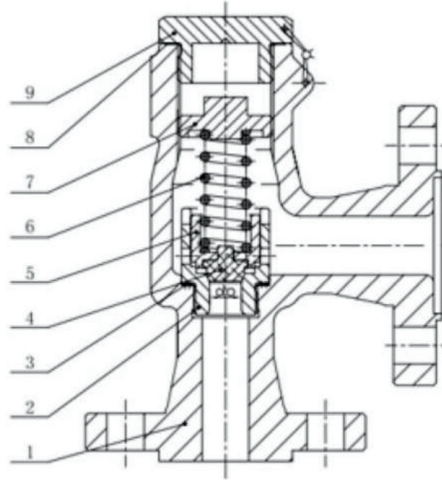
APPLICABLE MEDIA: AMMONIA, PROPYLENE AND OTHER REFRIGERANTS
OPERATING TEMPERATURE RANGE: -40°C TO 150°C

PARTS MATERIAL

No.	Part name	Materials
1	Nozzle	304
2	Gasket	PTFE
3	Body	LCB
4	Disc	PTFE
5	Disc seat	304
6	Spring	OCr19Ni10
7	Adj.Nut	1Cr17Ni2
8	Gasket	PTFE
9	Cap	20

CONNECTING DIMENSIONS

Type	Size (NPT X NPT)	Structure Size	Height
		L X L1	H
RVSF-12C13F300C1	1/2x1	43x46	136
RVSF-12C16F300C2	3/4x1-1/4	51x51	158
RVSF-12C22F300C3	1x1-1/2	61x61	194
RVSF-12C34F300C4	1-1/2x2	86x136.5	255



SPECIFICATION

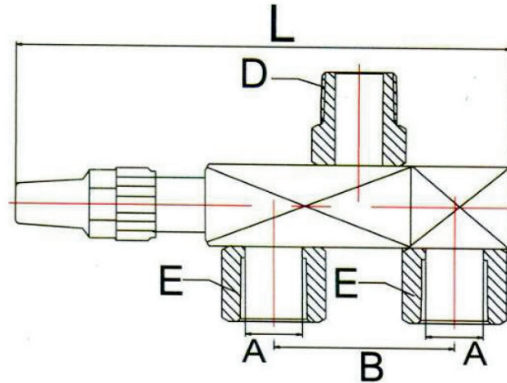
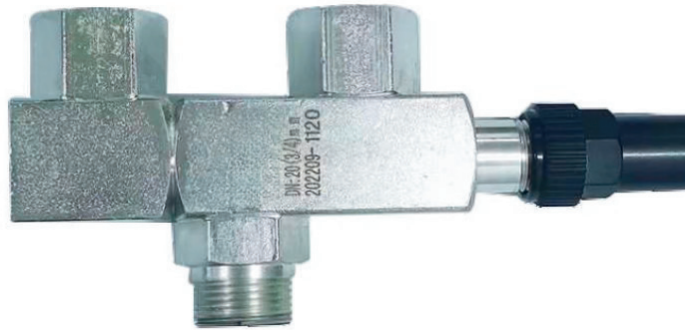
Type	RVSF-42F25C
Nominal diameter	DN15 ~ DN50
Shell test pressure	3.75 MPa
Relieving pressure	$\leq 1.1 \times$ set pressure
Seal pressure	$0.9 \times$ set pressure
Seal property	Air pressure test 2 minutes, no leakage; halogen leak rate ≤ 2.8 g/year
Suitable temperature	-40 ~ 150°C
Suitable medium	Refrigerants, oil, water, etc.
Flanged Connection	HG/T20529 / Special requirements customizable

PARTS MATERIAL

No.	Part name	Materials
1	Body	WCB
2	Seat	20Cr13
3	Gasket	Chloroprene rubber
4	Seal	PTFE
5	Disc	06Cr19Ni10 / 45#
6	Spring	50CrVA
7	Adjust nut	45#
8	Gasket	PTFE
9	Bonnet	45#

RATED CAPACITY (AIR), KG/S

Specification/ Size	Throat diameter d_0 (mm)	Set pressure (MPa)				
		0.5	1.0	1.5	2.0	2.5
DN15	12	0.1041	0.269	0.3923	0.5156	0.6389
DN20	16	0.185	0.4782	0.6974	0.9166	1.1357
DN25	22	0.3498	0.9041	1.3185	1.7329	2.1473
DN32	26.5	0.5075	1.3118	1.913	2.5143	3.1155
DN40	34	0.8355	2.1594	3.1491	4.1389	5.1286
DN50	40	1.1564	2.9888	4.3587	5.7285	7.0984



SPECIFICATION

Type	RVSF-23J24H-50C
Nominal pressure	5.0Mpa
Shell test pressure	7.5Mpa
Seal test (water)	5.0Mpa
Seal test (gas)	0.6Mpa
Suitable temperature	≤ 200°C
Suitable medium	Refrigerants, oil, etc.

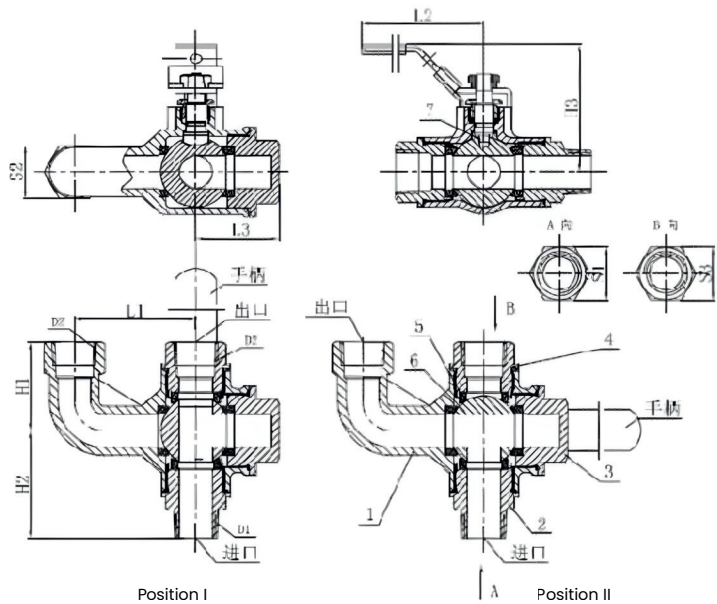
PARTS MATERIAL

No.	Part name	Materials
1	Seat	25#
2	Body	25#
3	Stem	2Cr13
4	Packing	Graphite

- The maximum operating pressure of the valve body pressure 5.0Mpa
- Use medium temperature:-40 C~150 C
- Use medium:R22, R134a, R404a and other refrigerants

CONNECTING DIMENSION

Imported Connection D	mm				
	Valve Body	E	A	B	L
1/4-MNPT	□22	1/4FNPT	7	54	150
3/8-MNPT	□22	3/8FNPT	10.5	54	150
1/2-MNPT	□22	1/2FNPT	11.5	54	150
3/4-MNPT	□30	3/4FNPT	19	66	180
1 -MNPT	□36	1FNPT	23	78	218
1-1/4-MNPT	□40	1-1/4FNPT	29	90	232
7/8-14UNF	□22	7/8-14UNF	14	54	150
1-5/16-12UNF	□36	1-5/16-12UNF	23	78	218
1-5/8-12UNF	□36	1-5/8-12UNF	23	78	218



SPECIFICATION

Type	RVSF-ZLQ35F-63P
Nominal pressure	6.3MPa
Shell test pressure	9.5MPa
Seal test (water)	7.04MPa
Seal test (gas)	0.6MPa
Suitable temperature	≤ 150°C
Suitable medium	Refrigerant, oil, water, etc.

PARTS MATERIAL

No.	Part name	Materials
1	Body	CF8
2	Cover	CF8
3	Seat	R-PTFE
4	Ball	304
5	Stem	304

CONNECTING DIMENSION

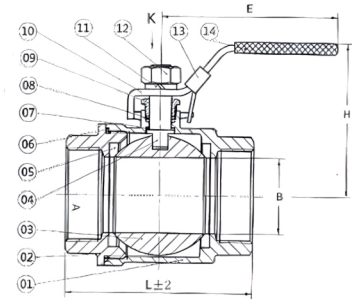
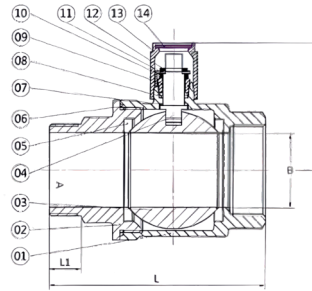
Size	DN	in		mm					
		D1	D2	H1	H2	H3	H4	H5	H6
3/8	10	3/8-18FNPT	3/8-18FNPT	42	44	59	45	115	34
1/2	15	1/2-14FNPT	1/2-14FNPT	45	55	66	60	155	39
3/4	20	3/4-14FNPT	3/4-14FNPT	53	64	70	75	140	50
1	25	1-11.5FNPT	1-11.5FNPT	95	140	51	64	81	83



RVSF-ZLQ31F-63P



RVSF-ZLQ11F-63P



SPECIFICATION

Type	RVSF-ZLQ31F-63P/RVSF-ZLQ11F-63P
Nominal pressure	6.3Mpa
Shell test pressure	9.45 Mpa
Seal test (water)	6.9Mpa
Seal test (gas)	0.6Mpa
Suitable temperature	≤ 150°C
Suitable medium	Refrigerant, oil, water, etc.

PARTS MATERIAL

No.	Part name	Materials
1	Body	CF8
2	Cover	CF8
3	Seat	R-PTFE
4	Ball	CF8
5	Stem	304

CONNECTING DIMENSION (RVSF-ZLQ31F-63P)

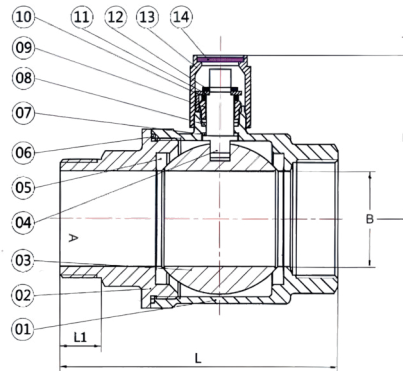
Size	DN	in		mm		
in	mm	A	B	L	H	E
3/8	10	3/8-18FNPT	3/8-18FNPT	71	42.5	23
1/2	15	1/2-14FNPT	1/2-14FNPT	71	46	23
3/4	20	3/4-14FNPT	3/4-14FNPT	92	50	23
1	25	1-11.5FNPT	1-11.5FNPT	108	66	28

CONNECTING DIMENSION (RVSF-ZLQ11F-63P)

Size	DN	in		mm		
in	mm	A	B	L	H	E
3/8	10	3/8-18FNPT	3/8-18FNPT	54	48	123
1/2	15	1/2-14FNPT	1/2-14FNPT	63	52	128
3/4	20	3/4-14FNPT	3/4-14FNPT	74	56	128
1	25	1-11.5FNPT	1-11.5FNPT	86	70	158
1-1/4	32	1-1/4-11.5FNPT	1-1/4-11.5FNPT	100	77	158
1-1/2	40	1-1/2-11.5FNPT	1-1/2-11.5FNPT	108.5	93	184



RVSF-ZLQ31F-63P



SPECIFICATION

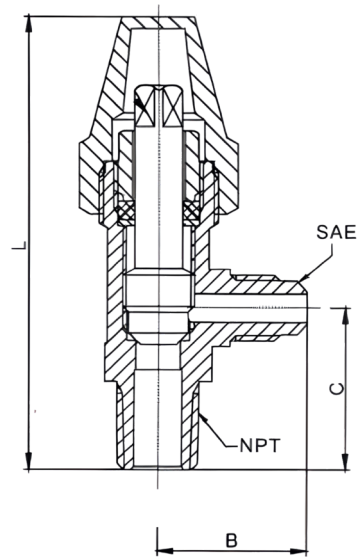
Type	RVSF-ZLQ31F-63P
Nominal pressure	6.3Mpa
Shell test pressure	9.45Mpa
Seal test (water)	6.9Mpa
Seal test (gas)	0.6Mpa
Suitable temperature	≤ 150°C
Suitable medium	Refrigerant, oil, water, etc.

PARTS MATERIAL

No.	Part name	Materials
1	Body	CF8
2	Cover	CF8
3	Seat	R-PTFE
4	Ball	CF8
5	Stem	304

CONNECTING DIMENSION

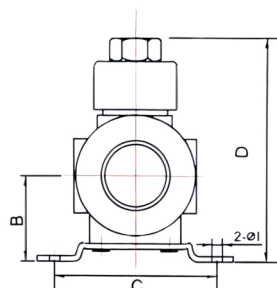
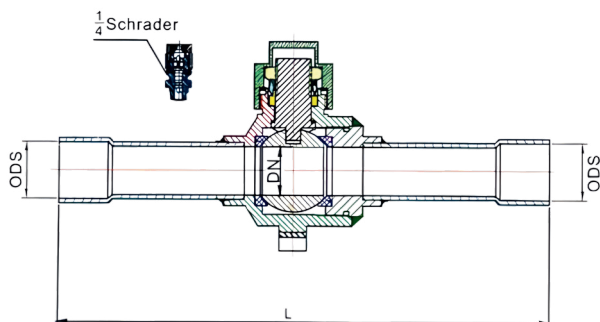
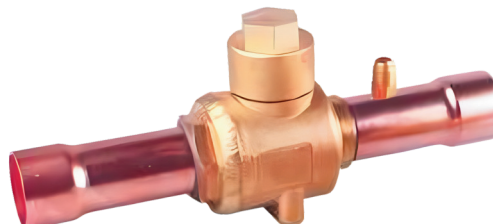
Size	DN	in		mm		
		A	B	L	H	S
7/8	15	7/8-14UNF(M)	7/8-14UNF(F)	85	47	23
1-5/16	25	1-5/16-12UNF(M)	1-5/16-12UNF(F)	103	60	29
1-5/8	32	1-5/8-12UNF(M)	1-5/8-12UNF(F)	115.5	74	29



- The maximum operating pressure of the valve body pressure 4.2Mpa
- Use medium temperature:-40 °C~150°C
- Use medium:R22,R134a, R404a and other refrigerants

CONNECTING DIMENSION

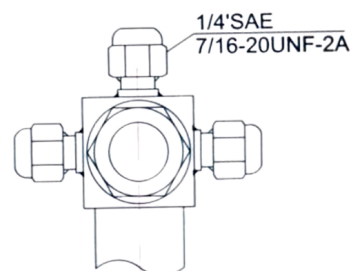
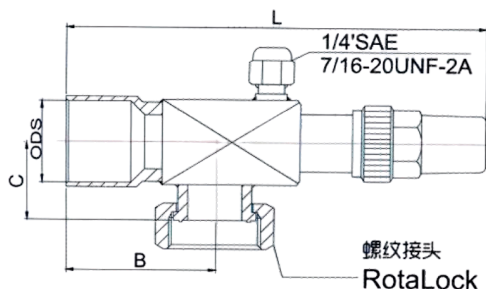
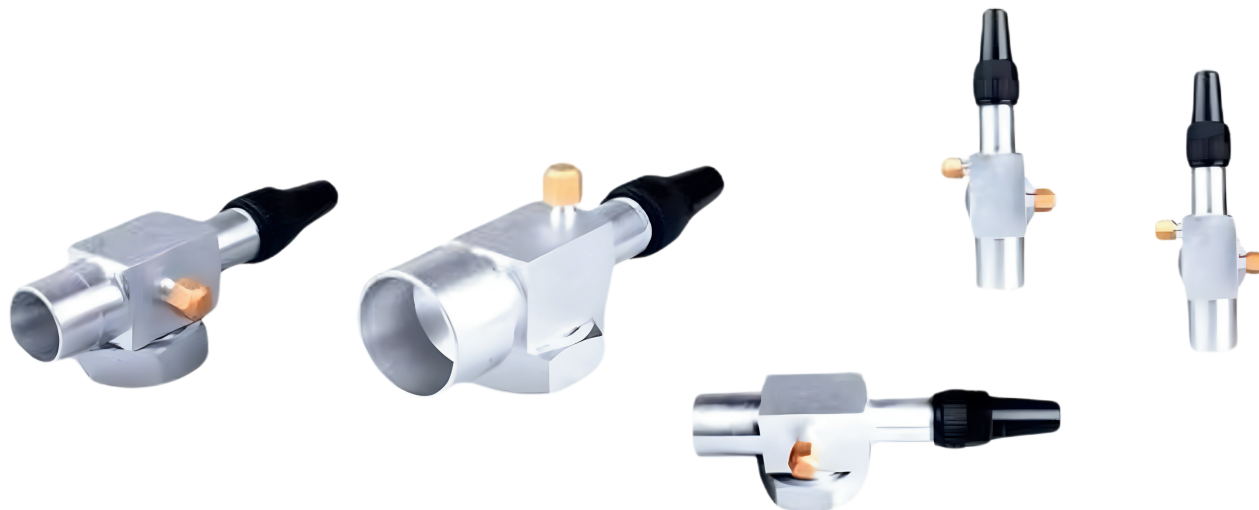
Model	SAE Flare	NPT	B	C	L
			mm	mm	mm
RVSF-SJ01	1/4	1/4	25	28	77
RVSF-SJ02	3/8		28		77
RVSF-SJ03	1/4	3/8	25	29	77
RVSF-SJ04	3/8		28		77
RVSF-SJ05	1/2	1/2	34	34	90
RVSF-SJ06	3/8		32		
RVSF-SJ07	1/2		34	37	94
RVSF-SJ08	5/8	36			
RVSF-SJ09		3/4	42	50	135
RVSF-SJ10	46				
RVSF-SJ11	48				



- The maximum operating pressure of the valve body pressure 4.2Mpa
- Use medium temperature:-40°C~ 150°C
- Use medium:R22,R134a, R404a and other refrigerants

CONNECTING DIMENSION

Model	ODS		DN	B	D	L	C	I
	mm	inch						
RVSF-SQT01	/	1/4"	8	19	55	126	38.5	4.5
RVSF-SQT02	10	/						
RVSF-SQT03	/	3/8"						
RVSF-SQT04	12	/	10	20	58	128	47.5	5.5
RVSF-SQT05	/	1/2"						
RVSF-SQT06	16	5/8"	17	28	74	164	52	6.5
RVSF-SQT07	18	/						
RVSF-SQT08	/	3/4"	19	31	83	190	60	7.5
RVSF-SQT09	22	7/8"						
RVSF-SQT10	28	/	25	35	95	210	70	8.5
RVSF-SQT11	/	1-1/8"						
RVSF-SQT12	35	1-3/8"	32	/	100	246	/	/
RVSF-SQT13	42	/						
RVSF-SQT14	/	1-5/8"	38	46	124	283	/	/
RVSF-SQT15	54	2-1/8"						
RVSF-SQT16	67	2-5/8"	62	62	160	380	/	/
RVSF-SQT17	80	3-1/8"						
RVSF-SQT18	104	4-1/8"	98	85.5	226	450	/	/

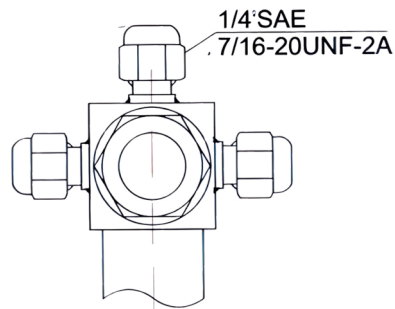
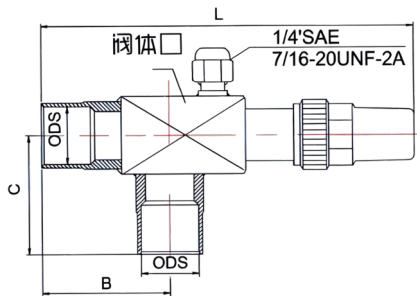


- The maximum operating pressure of the valve body pressure 4.0Mpa
- Use medium temperature: -40°C~150°C
- Use medium: R22, R134a, R404a and other refrigerants

The charging connection can be installed on the left, center, or right side according to customer requirements.

CONNECTING DIMENSION

Model	Valve Body	Rotalok	ODS	B	C	L
	mm		mm	mm	mm	mm
RVSF-STR-01	20	1"- 14UNS	1/4"	32	22	104
RVSF-STA-02			3/8"			
RVSF-STR-03			1/2"	34		106
RVSF-STR-04			5/8"			
RVSF-STR-05			3/4"			
RVSF-STA-06	22	1-1/4"-12UNF	1/2"	34	22	107
RVSF-STR-07			5/8"			109
RVSF-STR-08			3/4"	39		112
RVSF-STR-09			3/4"	48		139
RVSF-STA-10	7/8"					
RVSF-STA-11	30	1-1/4"-12UNF	1-1/8"	51	28	142
RVSF-STR-12			3/4"			48
RVSF-STR-13			7/8"			
RVSF-STR-14	36	1-3/4"-12UN	1-1/8"	51	31	142
RVSF-STA-15			1-1/8"			57
RVSF-STR-16			1-3/8"	59		
RVSF-STA-17			8/9-1"			63
RVSF-STR-18	50	2-1/4"-12UN	1-3/8"	71	43	198
RVSF-STA-19			1-5/8"			73
RVSF-STR-20			2-1/8"	75		

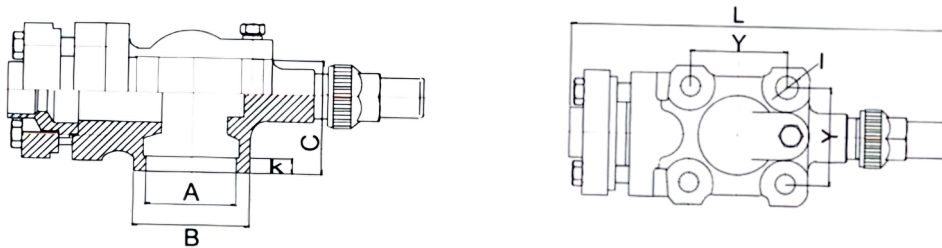


- The maximum operating pressure of the valve body pressure 4.0Mpa
- Use medium temperature:- 40°C~150°C
- Use medium:R22, R134a, R404a and other refrigerants

The charging connection can be arranged on the left, center, or right side according to customer requirements.

CONNECTING DIMENSION

Model	Valve Body	ODS	B	C	L
	mm	mm	mm	mm	mm
RVSF-WA-STA-01	20	3/8"	34	32.5	106
RVSF-WA-STA-02		1/2"			
RVSF-WA-STA-03		5/8"			
RVSF-WA-STA-04	22	5/8"	36	33.5	109
RVSF-WA-STA-05		3/4"	39	36.5	112
RVSF-WA-STA-06	30	3/4"	48	46	139
RVSF-WA-STA-07		7/8"			
RVSF-WA-STA-08		1-1/8"			
RVSF-WA-STA-09	36	1-1/8"	57	53	182
RVSF-WA-STA-10		1-3/8"	59	55	184
RVSF-WA-STA-11		1-5/8"	63	59	188
RVSF-WA-STA-12	40	1-3/8"	64	59.5	187
RVSF-WA-STA-13		1-5/8"	67	62.5	190
RVSF-WA-STA-14	50	1-5/8"	73	67.5	200
RVSF-WA-STA-15		2-1/8"	75	69.5	202
RVSF-WA-STA-16	60	2-1/8"	76	70	228
RVSF-WA-STA-17		2-5/8"	86	80	238



- The maximum operating pressure of the valve body pressure 3.2Mpa
- Use medium temperature:-40°C~150 C
- Use medium:R22,R134a, R404a and other refrigerants

CONNECTING DIMENSION

Model	ODS		L	Y	A	S	C	I	K
	mm	inch							
RVSF-CV08	/	1-1/8"	253	64	54	70	68	13	8
RVSF-CV09	35	1-3/8"							
RVSF-CV10	42	/							
RVSF-CV11	/	1-5/8"	295	77.8	64	81.5	86	18	12
RVSF-CV12	54	2-1/8"							
RVSF-CV13	/	2-5/8"	363	99	85	105	116	18	8
RVSF-CV14	/	2-5/8"							
RVSF-CV15	80	3-1/8"	388	122.2	111	130	139	22	65
RVSF-CV16	102	4-1/8"							