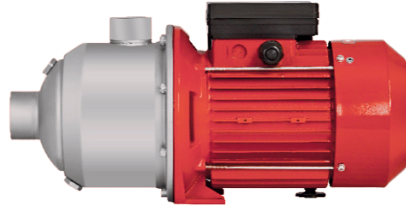
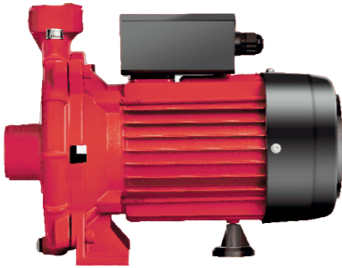


RVP

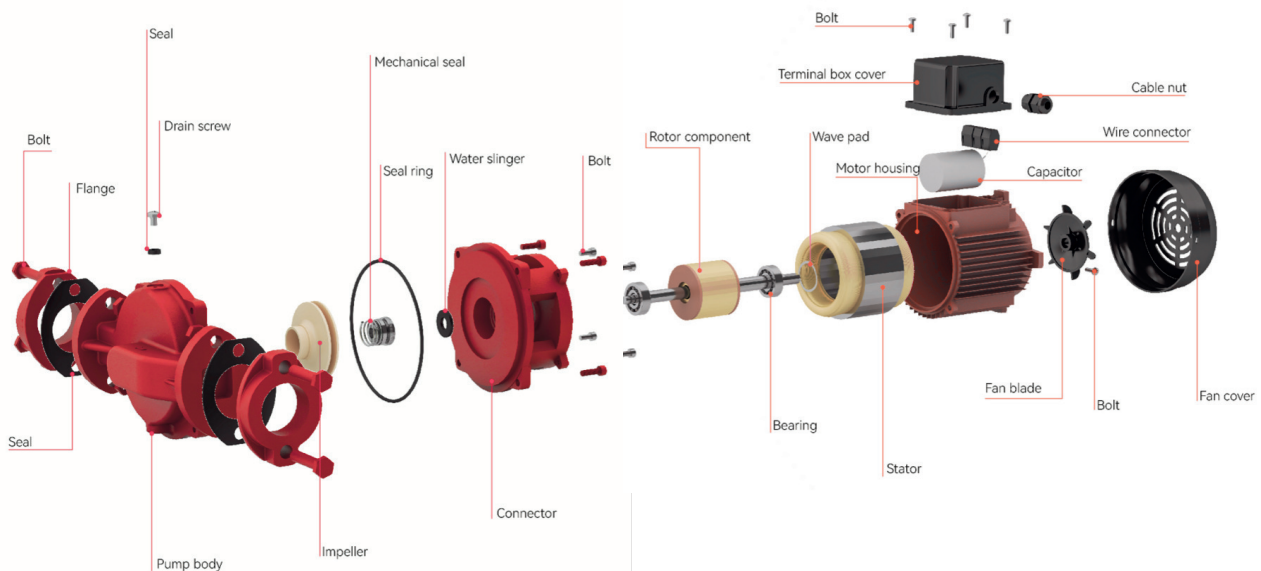
RVP-DP DOMESTIC PUMPS



AREAS OF APPLICATION

1. Hot water circulation and heating system
2. Air/Ground source heat pump system
3. Industrial circulation system
4. Solar energy system
5. Cleaning and garden irrigation system
6. HVAC circulation system
7. Home and commercial water supply system
8. Boiler water supply system
9. Cooling water system

STRUCTURAL DIAGRAM



FEATURES & BENEFITS

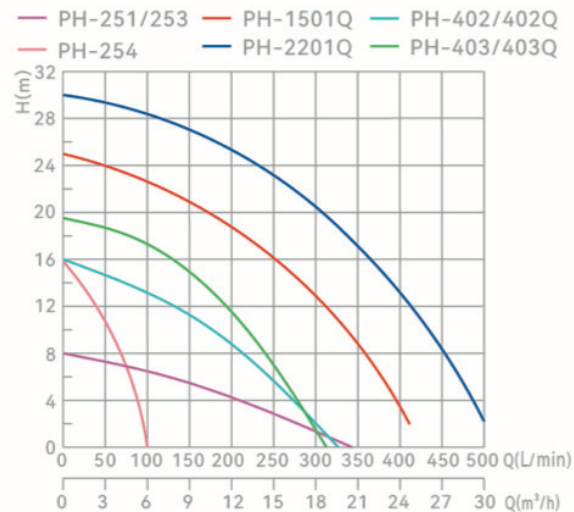
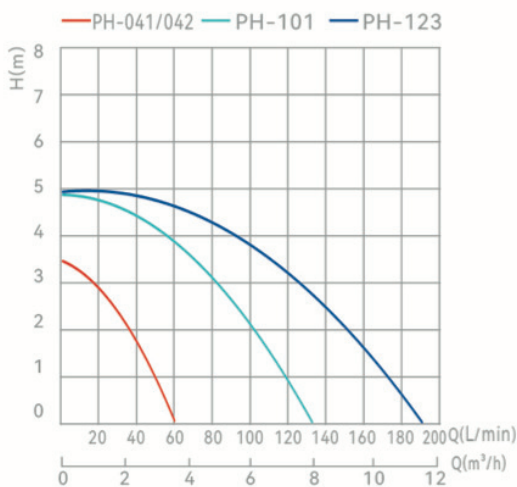
1. Pipe installation, easy connection
2. Compact structure, space saving
3. Low noise, long service life
4. High quality mechanical seal, reliable and easy maintenance
5. Painted appearance, simple and elegant

TECHNICAL PARAMETERS

Power supply	1~220V/50Hz, 3~380V/50Hz
Motor protection	Single-phase motor with thermal protection, three-phase motor without
IP protection	IP22, IP44, IP55
Insulation	F
(RH) Humidity	≤95%
System pressure	0.2Mpa, 0.3Mpa , 0.5Mpa
Certificate	CE
Ambient temperature	0~40°C
Liquid temperature	0~90°C (clean water)

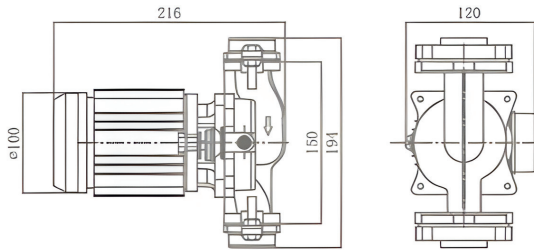


PERFORMANCE CURVE

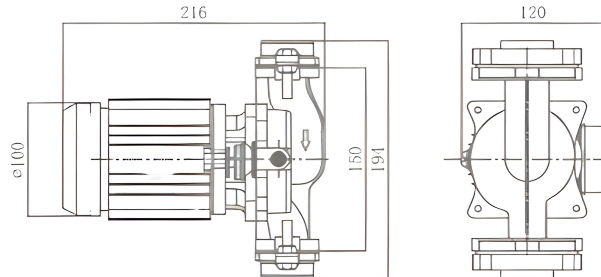


INSTALLATION DIAGRAM

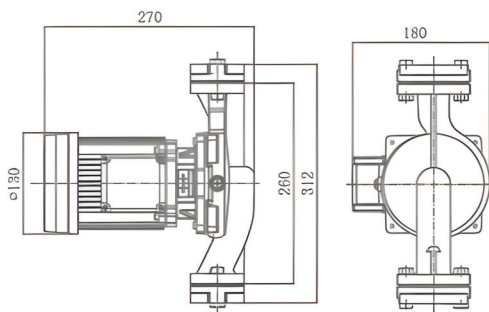
RVP-DP-PH-041/RVP-DP-PH-042



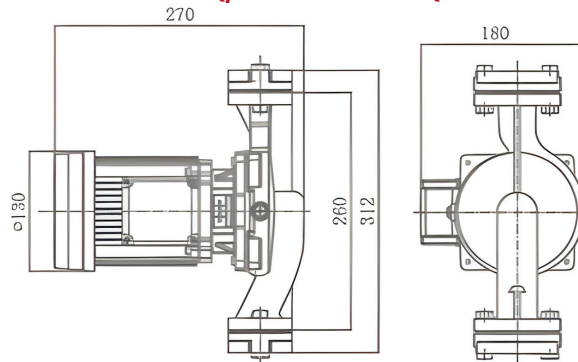
RVP-DP-PH-101



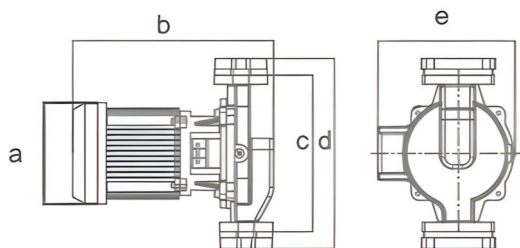
RVP-DP-PH-254



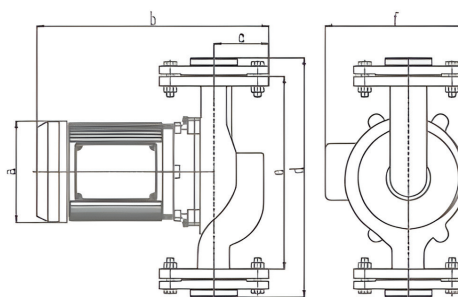
RVP-DP-PH-1501Q/ RVP-DP-PH-2201Q



RVP-DP-PH-123/251/253



RVP-DP-PH-402/402Q/403/403Q

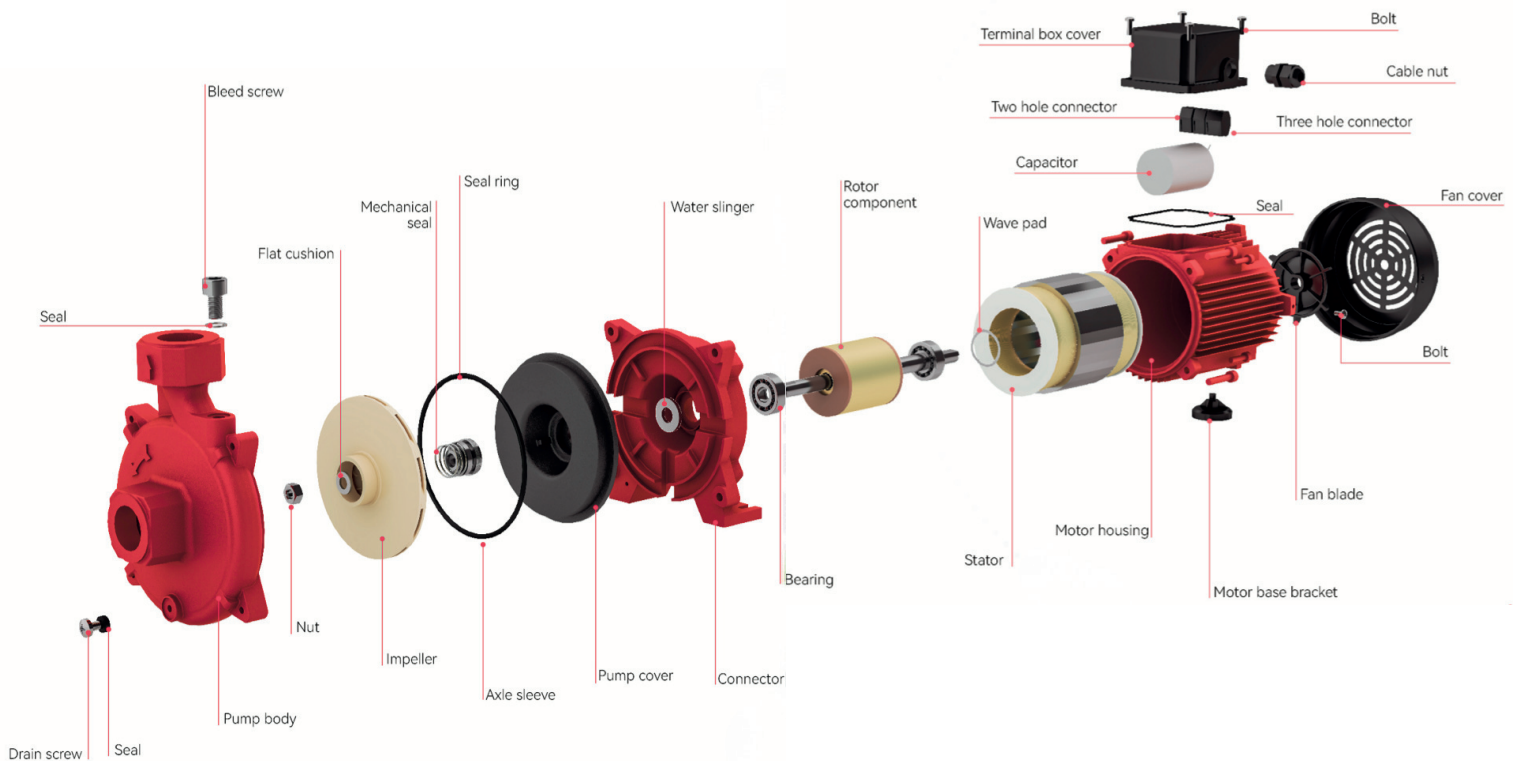


MODEL	a	b	c	d	e	f
RV-DP-PH-123	φ130	275	260	312	180	
RV-DP-PH-251	φ148	290	290	345	190	
RV-DP-PH-253	φ148	290	290	345	190	
RV-DP-PH-402	φ148	335	80	335	280	224
RV-DP-PH-403	φ148	335	80	335	280	224
RV-DP-PH-403Q	φ148	365	80	335	280	224

PRODUCT PARAMETER

Model	RVP-DP-PH-041	RVP-DP-PH-042	RVP-DP-PH-101	RVP-DP-PH-123	RVP-DP-PH-251	RVP-DP-PH-253	RVP-DP-PH-254	RVP-DP-PH-402	RVP-DP-PH-403	RVP-DP-PH-403Q	RVP-DP-PH-1501Q	RVP-DP-PH-2201Q
Power supply	1-220V/50Hz						3-380V-50Hz					
Input power (W)	90	90	200	220	410	400	330	850	1000	1000	1750	2800
Output power (W)	40	40	100	125	250	250	250	750	750	750	1500	2200
Transmission medium	Clean Water											
Medium temperature(°C)	0-90											
Maximum head (m)	3.5	3.5	5	5	7.5	7.5	15	16	20	20	25	30
Maximum flow (L/min)	60	60	130	190	230	230	100	310	300	300	417	467
Rated flow (L/min)	28	28	85	135	190	190	50	180	130	130	266	308
Rated head (m)	2.5	2.5	3	3	4	4	10	10	16	16	15	20
Inlet size (mm)	25	32	40	50	65	50	40	80	50	50	50	50
Outlet size (mm)	25	32	40	50	65	50	40	80	50	50	50	50
Maximum pressure (bar)	2	2	2	2	2	2	3	5	5	5	5	5
Protection level	IP22	IP22	IP22	IP22	IP22	IP22	IP44	IP44	IP44	IP55	IP55	IP55
Weight (kg)	3.5	3.5	7.6	9.6	14	14	9	17.5	19	19	33	35
Pump body	Cast Iron											
Impeller	Engineering Plastic						Brass			Cast Iron		
Shaft	Stainless Steel											
Mechanical seal	Graphite & Ceramic / Graphite & Silicon Carbide											

STRUCTURAL DESIGN

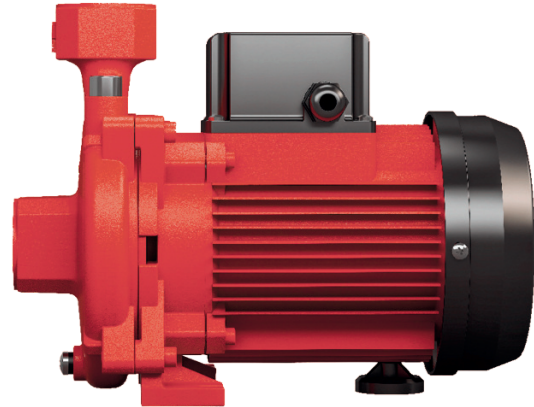


FEATURES & BENEFITS

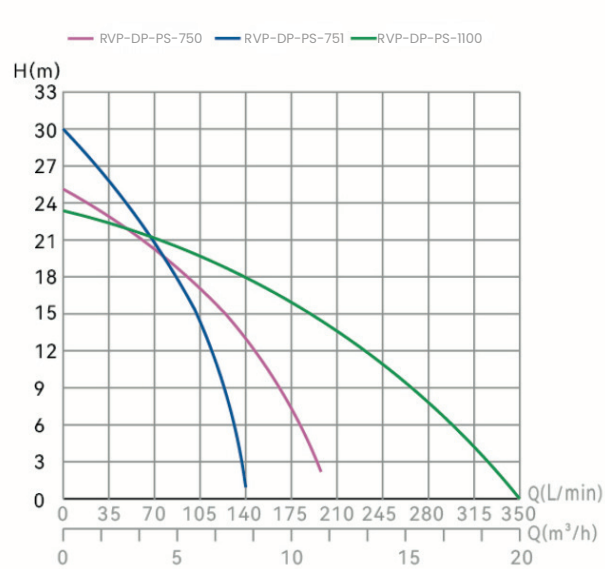
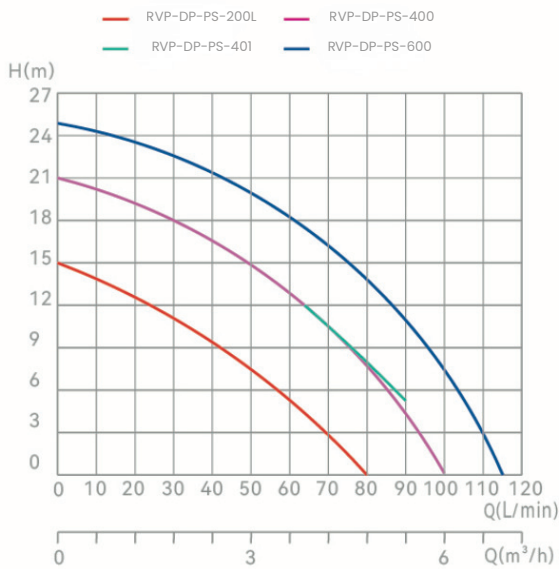
1. The pump body is coated with a special coating, Rust resistance
2. Low noise and high head
3. Compact structure and light appearance
4. High quality mechanical seal, reliable and easy to maintain
5. Painted appearance, simple and elegant

TECHNICAL PARAMETERS

Power supply	1~220V/50Hz, 3~380V/50Hz
Motor protection	Single-phase motor with thermal protection, three-phase motor without
IP protection	IP44
Insulation	F
(RH) Humidity	≤95%
System pressure	0.4Mpa.0.5Mpa
Certificate	CE
Ambient temperature	0~40°C
Liquid temperature	0~90°C (clean water)

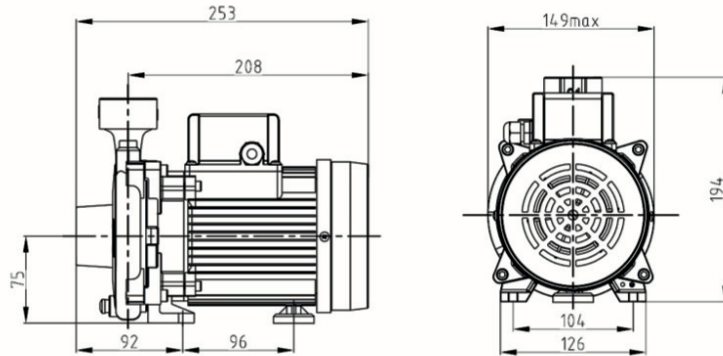


PERFORMANCE CURVE

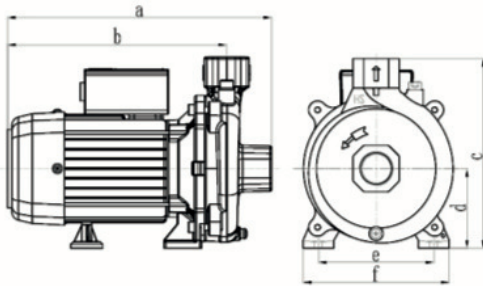


INSTALLATION DRAWING

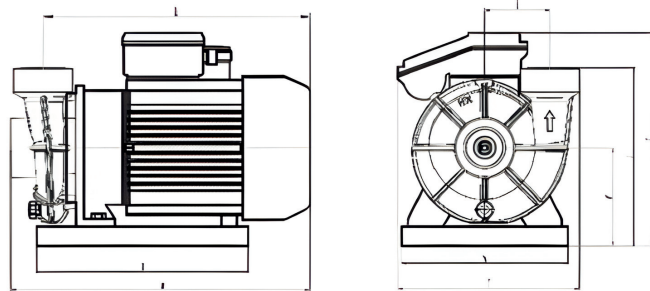
RVP-DP-PS-200L



RVP-DP-PS-400/600/750/751



RVP-DP-PS-1100

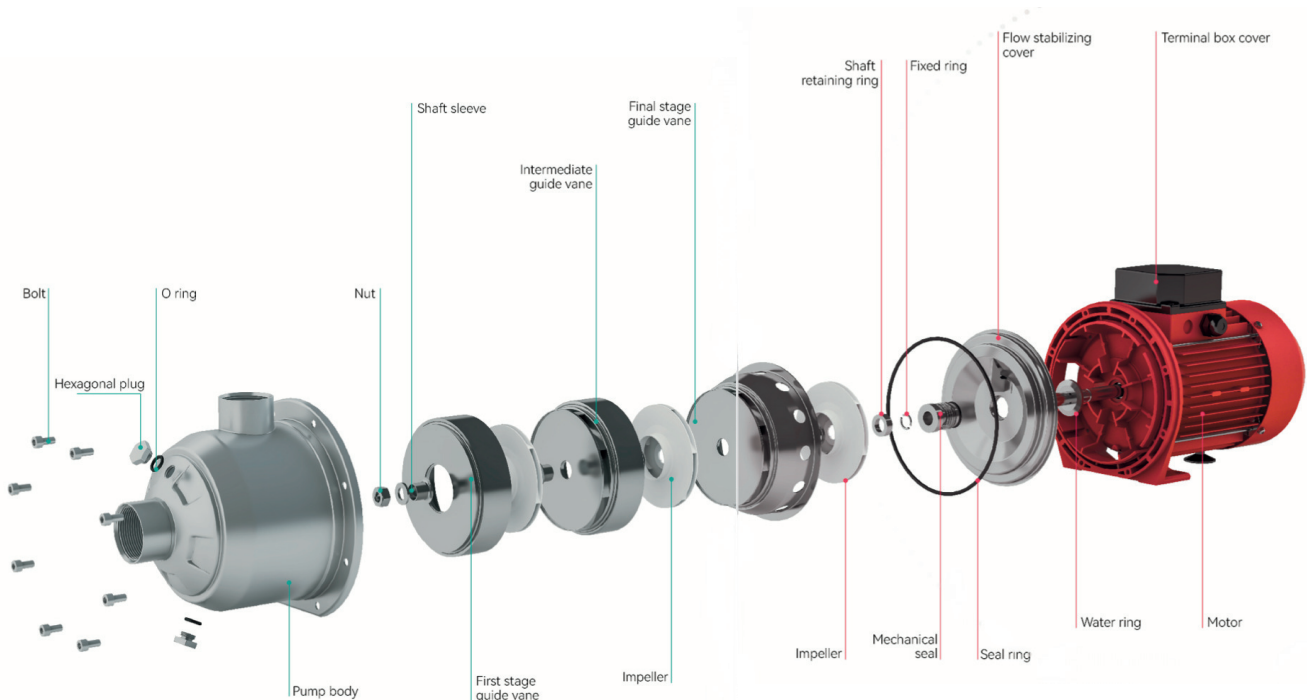


Model	a	b	c	d	e	f	g	h	i
RVP-DP-PS-400	283	243	219	94	124	172	172	172	172
RVP-DP-PS-600	306	258	230	98	142	180	180	180	180
RVP-DP-PS-750	322	269	233	98	142	180	180	180	180
RVP-DP-PS-751	315	269	234	98	142	180	180	180	180
RVP-DP-PS-1100	384.5	345	275	126		240	294.5	219	85

PRODUCT PARAMETER

Model	RV-DP-PS-200L	RV-DP-PS-400	RV-DP-PS-401	RV-DP-PS-600	RV-DP-PS-750	RV-DP-PS-751	RV-DP-PS-1100
Power supply	1-220V/50Hz			3-380V/50Hz		1-220V/50Hz	
Input power (W)	320	680	660	880	1100	1250	1500
Output power (W)	200	400	400	600	750	750	1100
Transmission medium	Clean Water						
Medium temperature(°C)	0~90						
Maximum head (m)	15	21	21	25	25	30	23
Maximum flow (L/min)	80	100	90	115	200	125	360
Rated flow (L/min)	38	50	50	50	110	80	220
Rated head (m)	10	15	15	20	17.5	20	15
Inlet size (mm)	25	32	25	25	32	32	50
Outlet size (mm)	25	32	25	25	32	32	50
Maximum pressure (bar)	5	5	5	5	4	4	4
Protection level	IP44	IP44	IP44	IP44	IP44	IP44	IP44
Weight (kg)	7.2	11	11	12	13	13	21

STRUCTURAL DIAGRAM

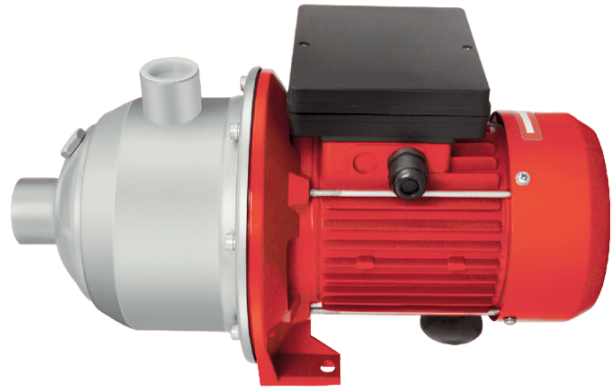


FEATURES & BENEFITS

1. Water-passing parts are made of stainless steel
2. Multi-stage impeller, high head
3. High quality mechanical seal, reliable and easy to maintain
4. NSK bearings, long life, low noise
5. Painted appearance, simple and elegant

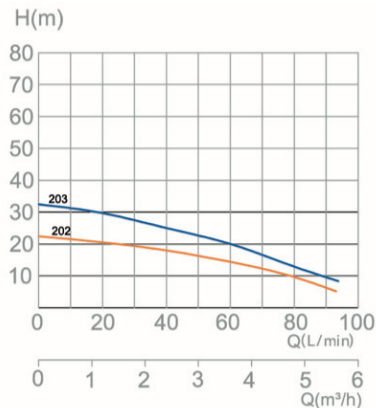
TECHNICAL PARAMETERS

Power supply	1~220V/50Hz, 3~380V/50Hz
Power supply	Single-phase motor with thermal protection, three-phase motor without
IP protection	IP54
Insulation	F
(RH) Humidity	≤95%
System pressure	1MPa
Certificate	CE
Ambient temperature	0~40°C
Liquid temperature	0~90°C (clean water), -15~110°C (Waternethylene glycol (≤ 50%) mixture)

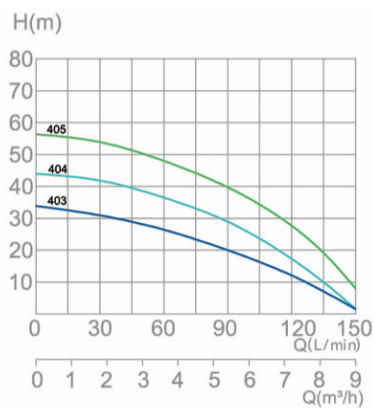


PERFORMANCE CURVE

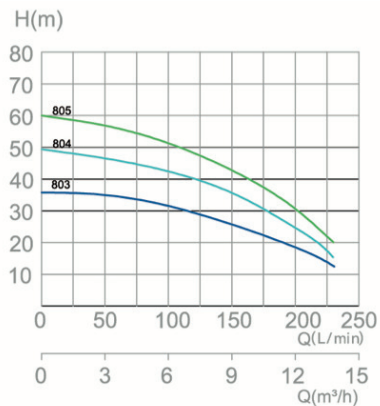
RVP-DP-MHI-202/203



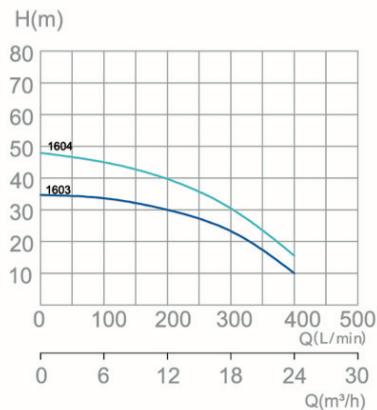
RVP-DP-MHI-403/405



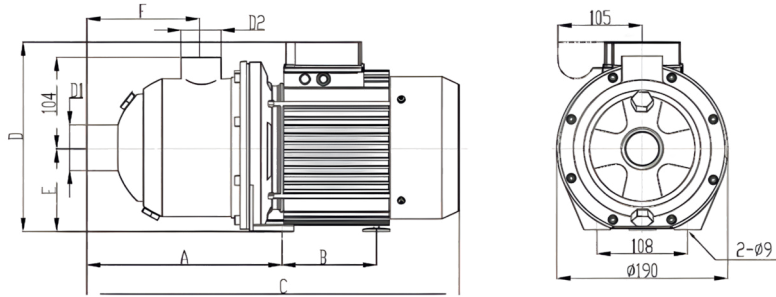
RVP-DP-MHI-803/805



RVP-DP-MHI-1603/1605



INSTALLATION DIAGRAM



Model	Rated Power (KW)	Rated Current			φD1 [RP]	φD2 [mm]	B			C		D		E		F	1-220V
		1-220V	3-220V	3-380V			1-220V	3-380V	1-220V	3-380V	1-220V	3-380V	1-220V	3-380V			
RVP-DP-MHI-202	0.37	2.58	1.89	1.09	1"	1"	205	85	85	375	375	205	198	90	90	107	9
RVP-DP-MHI-203	0.55	3.46	2.56	1.48	1"	1"	205	85	85	375	375	205	198	90	90	107	9
RVP-DP-MHI-403	0.55	3.46	2.56	1.48	1¼"	1"	201	85	85	371	371	205	198	90	90	104	10.4
RVP-DP-MHI-404	0.75	4.85	3.01	1.74	1¼"	1"	250	100	100	448	448	210	198	90	90	153	13.6
RVP-DP-MHI-405	1.1	6.55	4.4	2.54	1¼"	1"	250	100	100	448	448	210	213	90	90	153	15.4
RVP-DP-MHI-803	1.1	6.55	4.4	2.54	1½"	1¼"	212	100	100	410	410	210	213	90	90	115	14.5
RVP-DP-MHI-804	1.5	9.15	6.1	3.52	1½"	1¼"	272	145	145	500.5	500.5	227	230	100	100	175	18.3
RVP-DP-MHI-805	1.85		6.95	4.01	1½"	1¼"	272		145		500.5		230		100	175	
RVP-DP-MHI-1603	1.85		6.95	4.01	2"	1½"	233		145		461.5		230		100	136	
RVP-DP-MHI-1604	2.2		9.7	5.6	2"	1½"	278		145		506.5		230		100	181	

PRODUCT PARAMETER

Model	EVP-DP-MHI-200	EVP-DP-MHI-400	EVP-DP-MHI-800	EVP-DP-MHI-1600
Power Supply	1-220V/50Hz & 3-380(220)V/50Hz			3-380(220)V/50Hz
Transmission Medium	Clean Water			
Medium Temperature	0~90°C (Clean water), -15~110°C (Water + ethylene glycol (≤50%) mixed liquid)			
Maximum Head (m)	69	65	59	48
Maximum Flow (L/min)	83	133	216	433
Maximum Pressure (bar)	10			
Protection Level	IP54			
Pump Body	Stainless Steel			
Impeller	Stainless Steel			
Shaft	Stainless Steel			
Mechanical Seal	Graphite & Silicon Carbide			

RVP

RVP-DP-FMHI HORIZONTAL MULTI-STAGE VARIABLE FREQUENCY WATER PUMP

FEATURES & BENEFITS

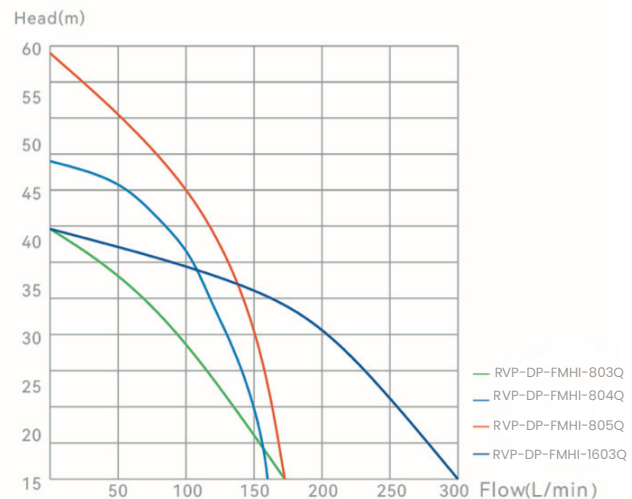
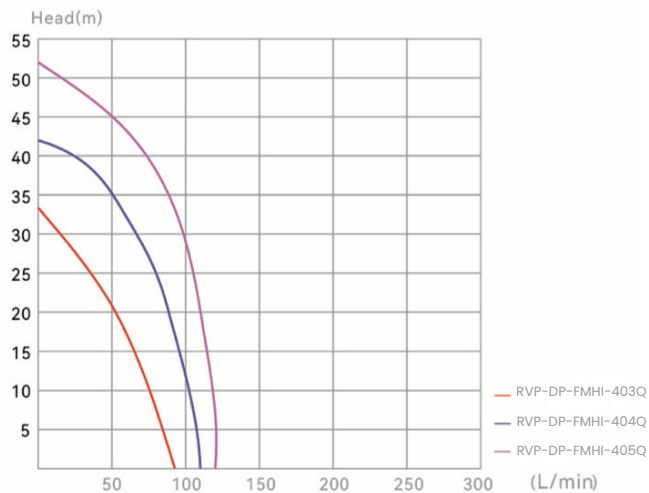
- 1.Constant pressure water supply
- 2.Automatic energy-saving operation
- 3.Multiple protection functions
- 4.Automatic stand-by
- 5.Automatic start function when power is on

TECHNICAL PARAMETERS

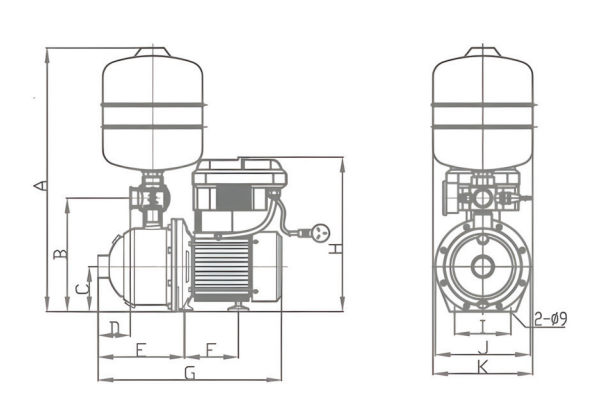
Power supply voltage	1~220V/50Hz, 3~380V/50Hz
Motor protection	Single-phase motor with thermal protection, three-phase motor without
IP protection	IP42
Insulation	F
(RH) Humidity	≤95%
System pressure	0.7Mpa
Certificate	CE
Ambient temperature	0~40°C
Liquid temperature	0~90°C (Clean water), -15~110°C (Waterethylene glycol (≤ 50%) mixture)



PERFORMANCE CURVE



FEATURES & BENEFITS



Model	Rated Power (kw)	A	B	C	D	E	F	G	H	I	J	K
RVP-DP-FMHI-403Q	0.55	525	225	90	64.5	201	85	371	308	108	φ190	200
RVP-DP-FMHI-404Q	0.75	525	225	90	101	250	100	448	308	108	φ190	200
RVP-DP-FMHI-405Q	1.1	565	225	90	101	250	100	448	316	108	φ190	200
RVP-DP-FMHI-803Q	1.1	570	226.5	90	76.5	212	100	410	316	108	φ190	200
RVP-DP-FMHI-804Q	1.5	570	228	90	137	272	145	500.5	331	108	φ190	200
RVP-DP-FMHI-805Q	1.85	570	228	90	137	272	145	500.5	331	108	φ190	200
RVP-DP-FMHI-1603Q	1.85	570	228	90	89.5	233	145	461.5	331	108	φ190	200

PRODUCT PARAMETER

Model	RVP-DP-FMHI-400Q	RVP-DP-FMHI-800Q	RVP-DP-FMHI-1600Q
Power Supply	Input single-phase 220v/50Hz, output single-phase 220v/50Hz		Input three-phase 380v/50Hz, output three-phase
Transmission medium	Clean Water		
Medium temperature(°C)	0~90°C (Clean water).-15~110°C (Watertethylene glycol (≤50%) mixture)		
Maximum head (m)	57	59	36
Maximum flow(L/min)	8	12	26
Inlet size	1¼"	1 ½"	2"
Outlet size	1"	1¼"	1 ½"
Protection level	IP42		
Maximum pressure (bar)	7		

APPLICATION

1. Commercial water boosting
2. Domestic groundwater extraction
3. Domestic water supply boosting

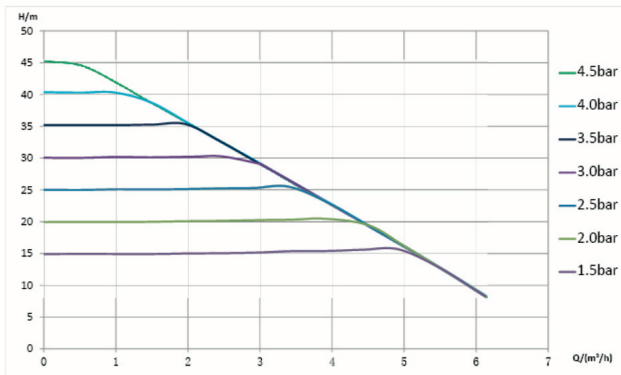
OPERATION CONDITION

Model	RVP-DP-HB03-30EC Pro	RVP-DP-HB03-30EC	RVP-DP-HB06-22EC
Voltage	220V/50Hz	220V/50Hz	AC 220V/50Hz
Liquid PH	6.5~8.5	6.5 ~ 8.5	6.5~8.5
Maximum particle size	0.1mm	0.1mm	0.1mm
Medium temperature	0°C ~ 50°C	0°C ~ 50°C	0°C ~ 90°C
Ambient temperature	0°C ~ 55°C	0°C ~ 55°C	0°C ~ 40°C
Voltage fluctuation range	±10%	±10%	±10%

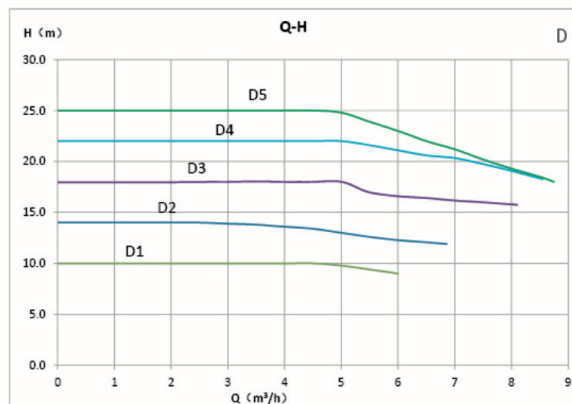
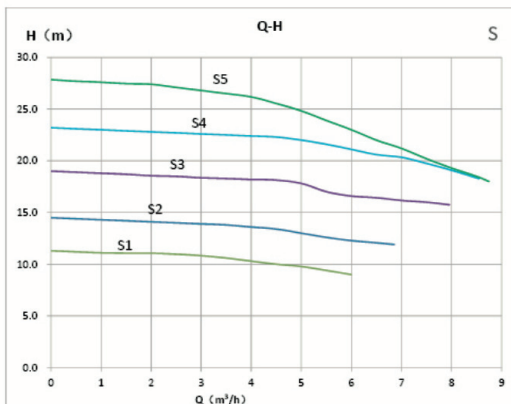


PERFORMANCE CURVE

RVP-DP-HB03-30EC PRO / RVP-DP-HB03-30EC

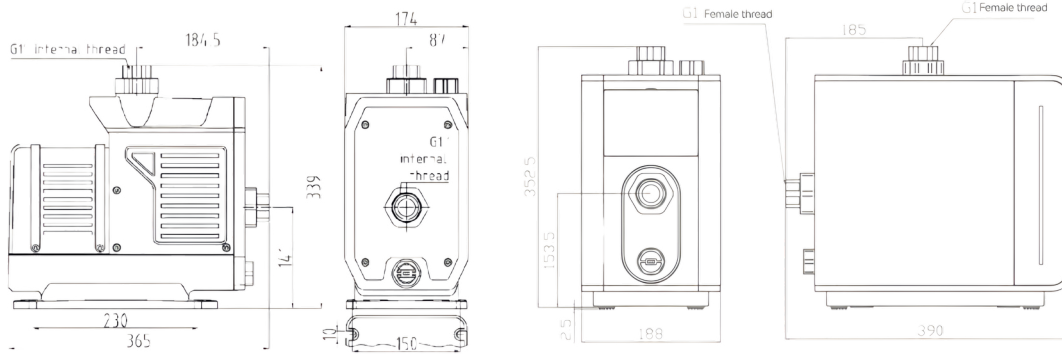


RVP-DP-HB06-22EC

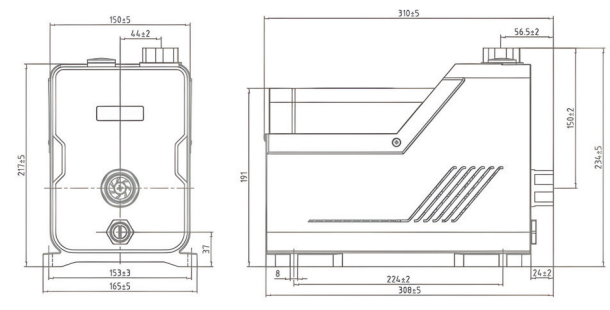


INSTALLATION DIAGRAM

RVP-DP-HB03-30EC PRO / RVP-DP-HB03-30EC



RVP-DP-HB06-22EC



TECHNICAL PARAMETERS

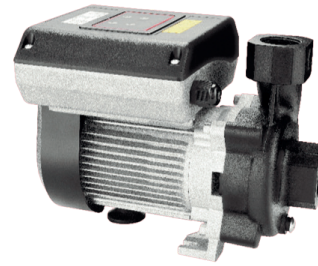
Model	Max. Flow	Max. Head	Rated Flow	Rated Head	Max. Power	Rated Voltage	Max. RPM	Inlet & Outlet Size
	(m ³ /h)	(m)	(m ³ /h)	(m)	(W)	(V)	(r/min)	(Internal Thread)
RVP-DP-HB03-30EC Pro	5.5	45	3	30	600	220	5000	G1"
RVP-DP-HB03-30EC	5.5	45	3	30	600	220	5000	G1"
RVP-DP-HB06-22EC	8.5	28	6	22	700	220	5000	G1"

APPLICATION

1. Air source heat pump system
2. Solar heating system
3. Domestic hot water system, etc

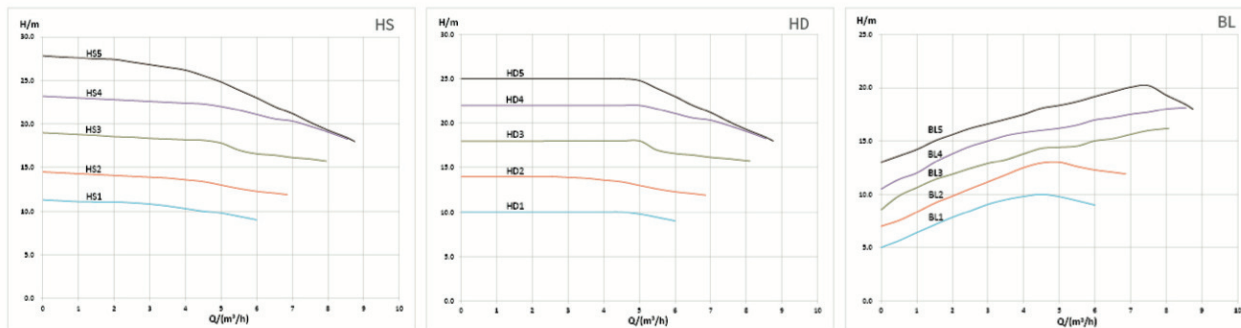
OPERATION CONDITION

Model	RVP-DP-B06-22 Pro	RVP-DP-B08-36
Voltage	AC 220~240V/50Hz	AC 220~240V,50/60Hz
Liquid PH	6.5~8.5	6.5~8.5
Maximum particle size	0.1mm	0.1mm
Medium temperature	0°C~90°C	-20 °C~90 °C
Ambient temperature	0°C ~ 40°C	-20 °C ~ 55 °C
Voltage fluctuation range	±10%	±10%

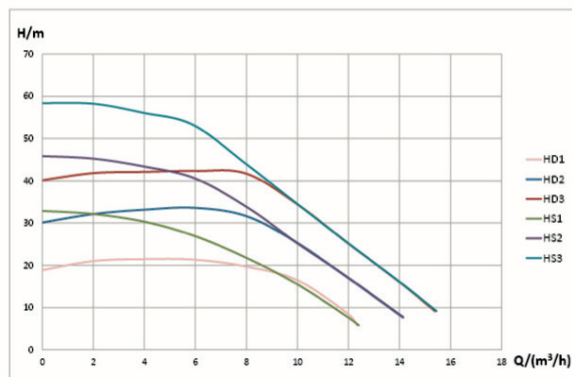


PERFORMANCE CURVE

RVP-DP-B0-22 PRO

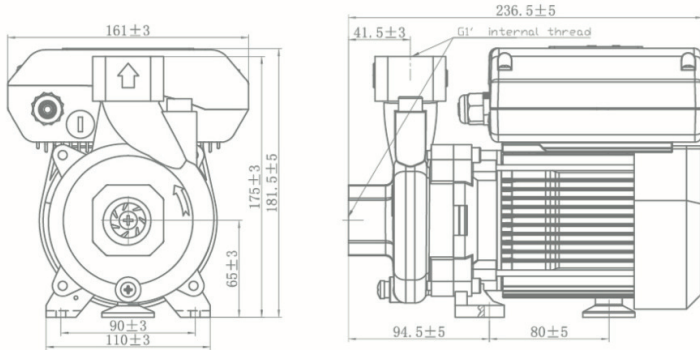


RVP-DP-B08-36

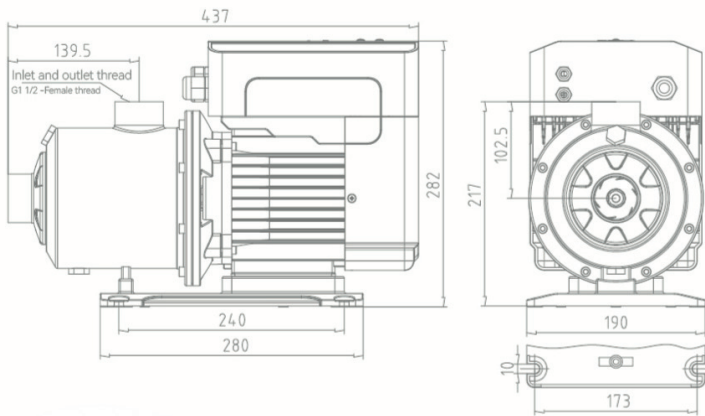


FEATURES & BENEFITS

RVP-DP-B0-22 PRO



RVP-DP-B08-36



TECHNICAL PARAMETERS

Model	Max. Flow	Max. Head	Rated Flow	Rated Head	Max. Power	Rated Voltage	Max. RPM	Inlet & Outlet Size
	(m ³ /h)	(m)	(m ³ /h)	(m)	(W)	(V)	(r/min)	(Internal Thread)
RVP-DP-B06-22 Pro	8.5	28	6	22	700	220~240	5000	G1"
RVP-DP-B08-36	15	58	8	36	1800	220~240	3500	G1 1/2"

APPLICATION

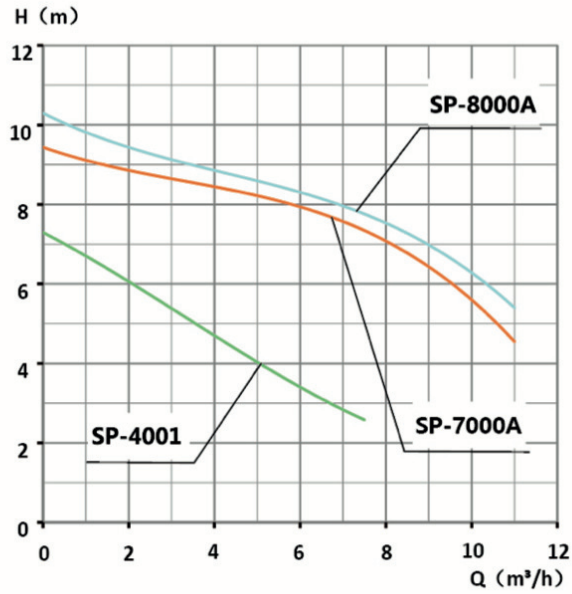
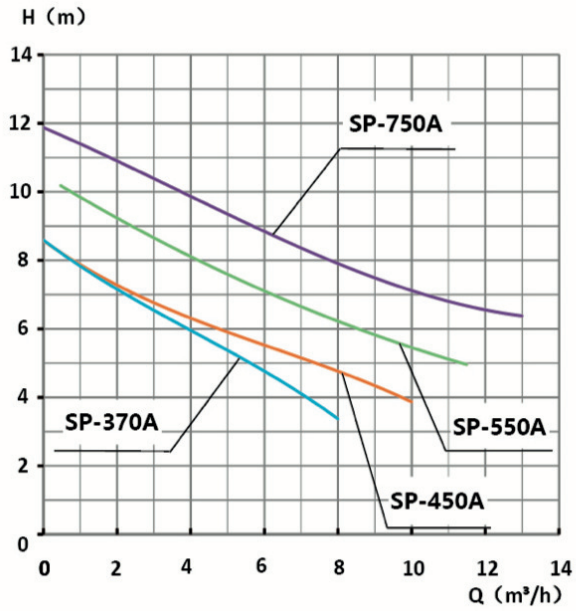
- 1.Small family swimming pool
- 2.Family Garden Supply
- 3.Sea water beauty cultivation

OPERATION CONDITION

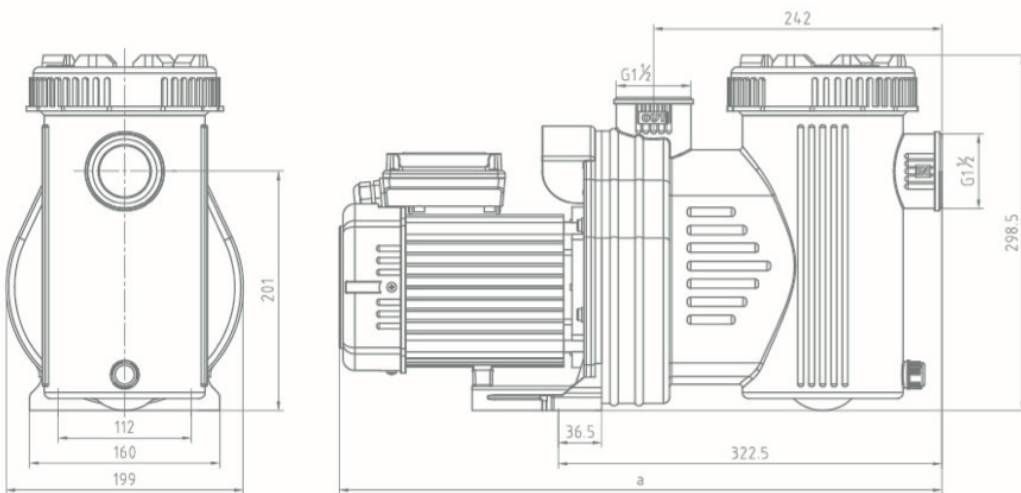
Model	RVP-DP-SP-370A	RVP-DP-SP-450A	RVP-DP-SP-550A	RVP-DP-SP-750A	RVP-DP-SP-7000A	RVP-DP-SP-8000A	RVP-DP-SP-4001
Voltage	1-220V/50Hz						
Input power(w)	400	500	600	850	450	500	300
HP	0.5	0.7	0.8	1.2	0.6	0.7	0.4
Medium	Clean Water						
Medium temp.	5°C~50°C						
Max. Head(m)	8.5	8.5	10.5	13	9.3	10.5	7.5
Max. Flow(L/min)	133	167	192	216	185	195	125
Self-priming(m)	2.5	2.5	2.5	2.5	2.5	2.5	2.5
Inlet Dia.(mm)	40	40	40	40	40	40	40
Outlet Dia.(mm)	40	40	40	40	40	40	40
Max. Pressure(bar)	3.5	3.5	3.5	3.5	3.5	3.5	3.5
Protection Level	IP55	IP55	IP55	IP55	IP55	IP55	IP55
Weight(kg)	9	10.5	13.9	15.9	6	6	5
Carton size(mm)	535*225*345				430*210*235		310*190*240
Pump Housing	PP+30%GF						
Impeller	PP+30%GF						
Shaft	SUS304+45#/20Cr13						
Mechanical Seal	Graphite & Ceramic/Graphite & Silicon Carbide						



PERFORMANCE CURVE



INSTALLATION DIAGRAM



Model	a
RVP-DP-SP-370A	496.5
RVP-DP-SP-450A	506.5
RVP-DP-SP-550A	506.5
RVP-DP-SP-750A	506.5

RVP

RVP-DP-FSP SWIMMING POOL PUMPS WITH FREQUENCY CONVERTER

FEATURES & BENEFITS

1. Dual Operation Modes
 - a. Regulate by Hz: 0-50Hz
 - b. Regulate by RPM: Three gears
2. User Friendly Display
3. Energy saving up to 75%

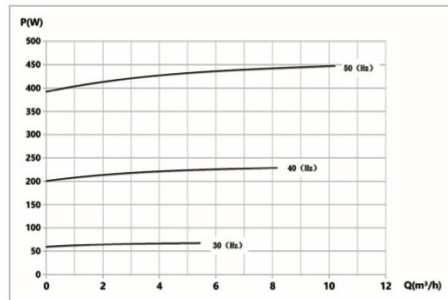
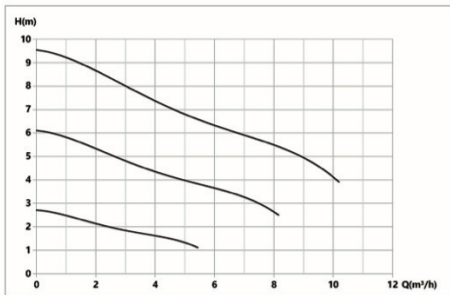
APPLICATION

1. It is used for water circulation in all kinds of small domestic swimming pools.
2. Slightly dirty water with solids in suspension can be perfectly filtered.

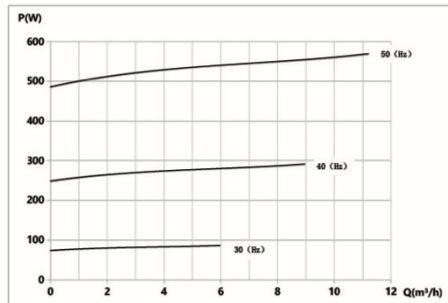
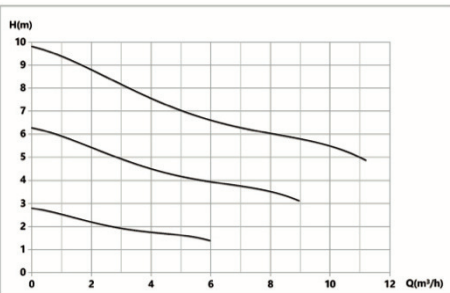


PERFORMANCE CURVE

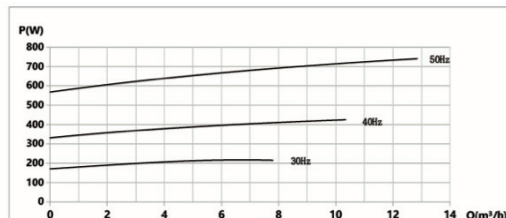
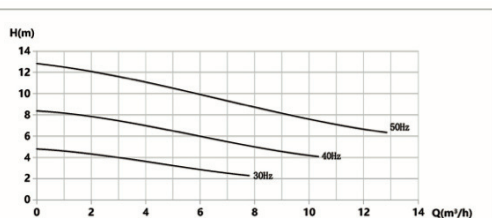
RVP-DP-FSP-16000 PRO



RVP-DP-FSP-19000 PRO



RVP-DP-FSP-21000 PRO



TECHNICAL DATA

Model	Max. Flow	Max. Head	Max. Suction	Input Power	Rated Power	Rated Voltage	Rated RPM	IP Class
	(m ³ /h)	(m)	(m)	(W)	(W)	(V)	(r/min)	
RVP-DP-FSP 16000 Pro	10	8.5	2.5	500	340	220~240	2860	55
RVP-DP-FSP 19000 Pro	11.5	10.5	2.5	600	400	220~240	2860	55
RVP-DP-FSP 21000 Pro	13	13	2.5	850	600	220~240	2860	55